

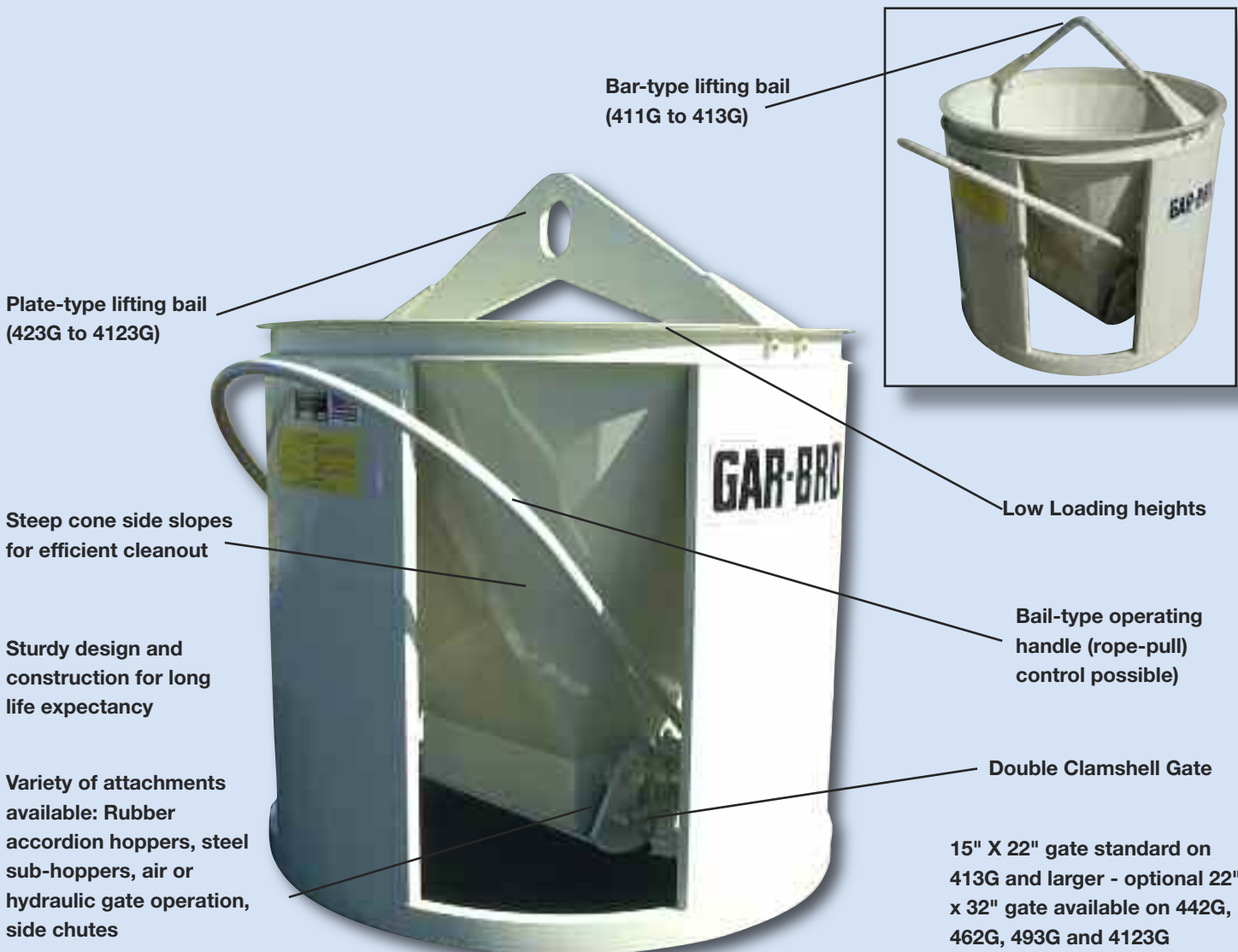
Round Concrete Buckets



General Purpose Concrete Buckets

Gar-Bro General Purpose or 'G' Series Concrete Buckets are built for modern concrete requirements and general concrete work. Sturdy design and construction provides long life expectancy. All 'G' Series buckets feature the Gar-Bro Double Clamshell Gate with vertical center discharge. Standard gate size is 15 inches x 22 inches.

Item No.	Rated Capacity Cubic Yards	Level Capacity Cubic Feet	Outside Diameter Inches	Loading Height Inches	Weight Pounds
411-G	1/3	10	39	35	355
413-G	1/2	15	45	38	420
423-G	3/4	24	51	46	565
433-G	1	30	57	51	615
442-G	1 1/2	42	64	55	795
462-G	2	58	72	58	1,045
493-G	3	87	76	72	1,445
4123-G	4	112	77	85	1,825



Lightweight Round-Gate Concrete Buckets

The Gar-Bro Round Gate or 'R' Series Concrete Bucket is 30% to 50% lighter than most standard steel buckets of the same capacity. The double clamshell 16-inch diameter gate features the Gar-Bro venturi throat and is non-jamming, grout tight and self-closing. A variety of attachments are available for all 'R' series buckets, including rubber accordion hoppers, side chutes, air operated gate systems, and extension collars.

Item No.	Rated Capacity Cubic Yards	Level Capacity Cubic Feet	Outside Diameter Inches	Loading Height Inches	Weight Pounds
410-R	1/3	10	38	34	237
413-R	1/2	13.5	38	41	257
420-R	3/4	20.3	47	44	330
427-R	1	27.5	56	46	400
440-R	1 1/2	40.5	63	53	500
454-R	2	55	70	59	675
483-R	3	83	70	72	760

30% to 40% lighter weight than standard buckets of same rated capacity

Venturi Throat for rapid discharge and thorough clean-out

Non-jamming, grout-tight, self-closing 16" diameter double-clamshell gates

Bucket frame is made to accommodate optional side discharge chute. Note opening on base ring to accommodate chute when bucket is resting on the ground. Side discharge is essential when bucket cannot be positioned directly over forms. The optional side chute is easy to install and remove.

Exclusive one-piece lifting bail design reduces obstructions in bucket top opening area, making charging operation easier and faster



Easily controlled by fast-acting bail-type operating handle

Wide variety of attachments available: Rubber accordion hoppers, steel subhoppers, automatic gate powering and underwater placing attachments.



Rubber Accordion Hoppers

These hoppers confine concrete when pouring into narrow forms and minimizes segregation due to free-fall. Attached to the bucket gate, the hopper opens and closes with the gate itself to control spillage and ensure proper flow control. When grounded, it folds under the bucket without damage. Sizes to fit all Gar-Bro buckets.



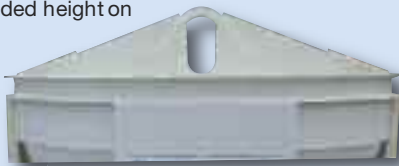
Optional 90 Degree Gate Lever

Optional modification to rotate the bucket gate lever (handle) 90 degrees to standard and allow gate operation with the gate lever directly over a wall or form. Also allows gate operation over or opposite to the optional bucket mounted side chute. Available at extra cost on all "R" and "G" series buckets.



Optional Low Profile "Precast" Lifting Bail

Optional low profile bail, installed at extra cost and in lieu of standard lifting bail on "G" series buckets 3/4 cubic yard and larger, allows direct connection of crane hook to bucket for hoisting without use of any intermediate lifting devices (such as an anchor shackle). Low profile design further reduces bucket suspended height on the crane.

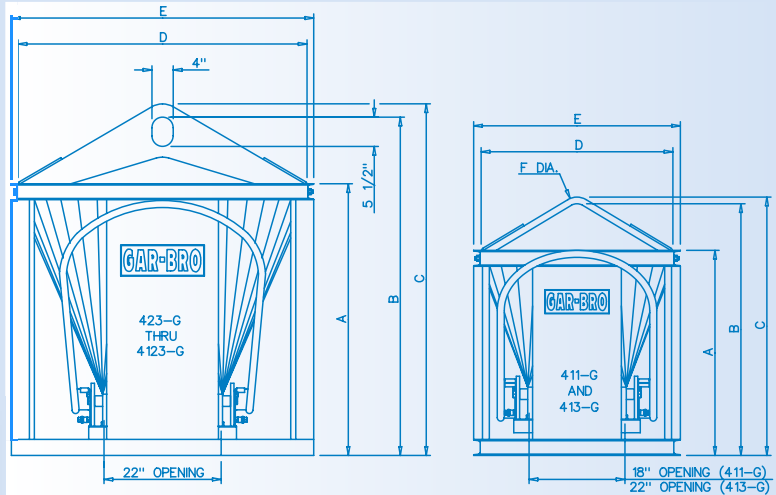


Optional Fork Pockets

Optional fork pockets installed on almost any GAR-BRO bucket will allow use of a forklift to safely move the bucket. Available at extra cost in many sizes and locations to suit almost any application.



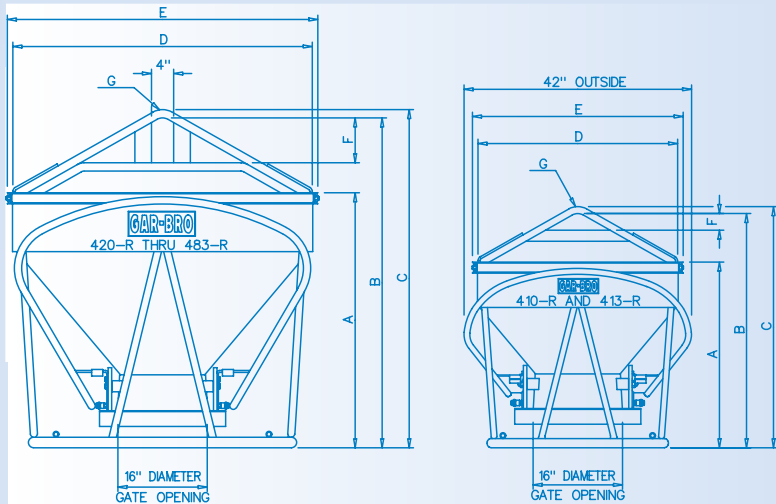
"G" Series Specifications



Item No.	Rated Capacity Cu.Yd.	Gate Opening inches	Loading Height A (in)	Suspended Height B (in)	Overall Height C (in)	Inside Diameter D (in)	Outside Diameter E (in)	Round Bar F (in)	Empty Weight (lbs)
411-G	1/3	15 x 18	35	44	46	36	39	1 1/4	355
413-G	1/2	15 x 22	38	48	51	42	45	1 1/2	420
423-G	3/4	15 x 22	46	57	60	48	51	—	565
433-G	1	15 x 22	51	64	67	54	57	—	615
442-G	1 1/2	15 x 22*	55	69	72	60	64	—	795
462-G	2	15 x 22*	58	73	78	68	72	—	1045
493-G	3	15 x 22*	72	88	91	68	76	—	1445
4123-G	4	15 x 22*	85	98	101	68	77	—	1825

* OPTIONAL 22" x 32" GATE AVAILABLE

Round Specifications



Item No.	Rated Capacity Cu.Yd.	Loading Height A (in)	Suspended Height B (in)	Overall Height C (in)	Inside Diameter D (in)	Outside Diameter E (in)	Between Rnd Bar F (in)	Round Bar Dia. G (in)	Empty Weight (lbs)
410-R	1/3	34	42	43 1/4	36	38	3	1 1/4	237
413-R	1/2	41	50	51 1/4	36	38	3	1 1/4	257
420-R	3/4	45	55	56 1/4	45	47	4 1/2	1 1/4	330
427-R	1.0	46	60	61 1/2	54	56	8	1 1/2	400
440-R	1 1/2	53	68	69 1/2	60	63	8 1/2	1 1/2	500
454-R	2	59	73	75	66	70	7 1/2	2.0	675
483-R	3	72	87	89	66	70	9 1/2	2.0	760

Optional Extension Collars

Available in 1/4 and 1/2 cubic yard size

